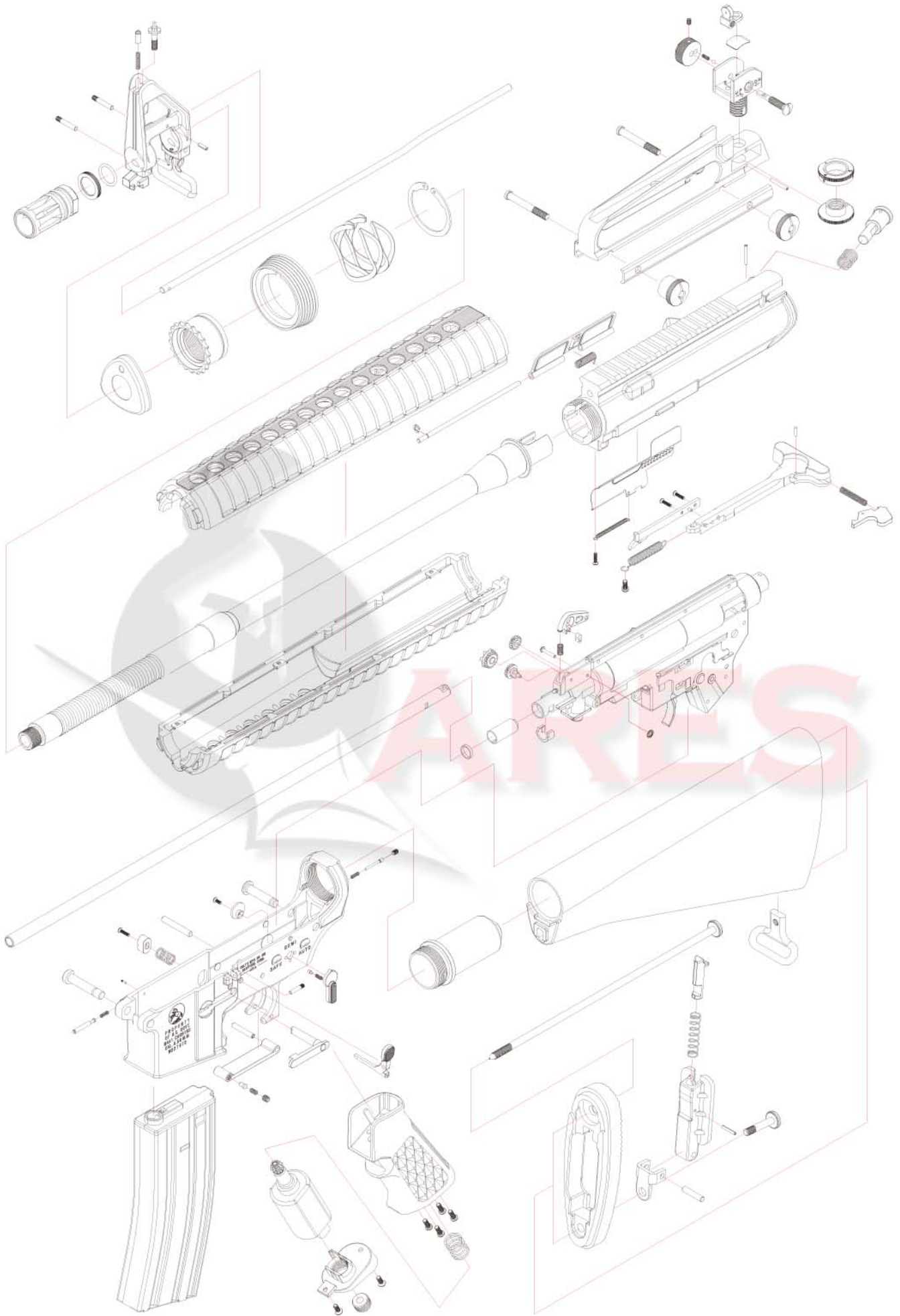


M16A3



COLT M16A3 CARBINE EXPOSE PLAN

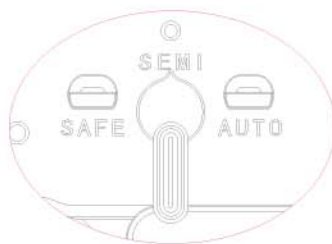


FIRING MODE

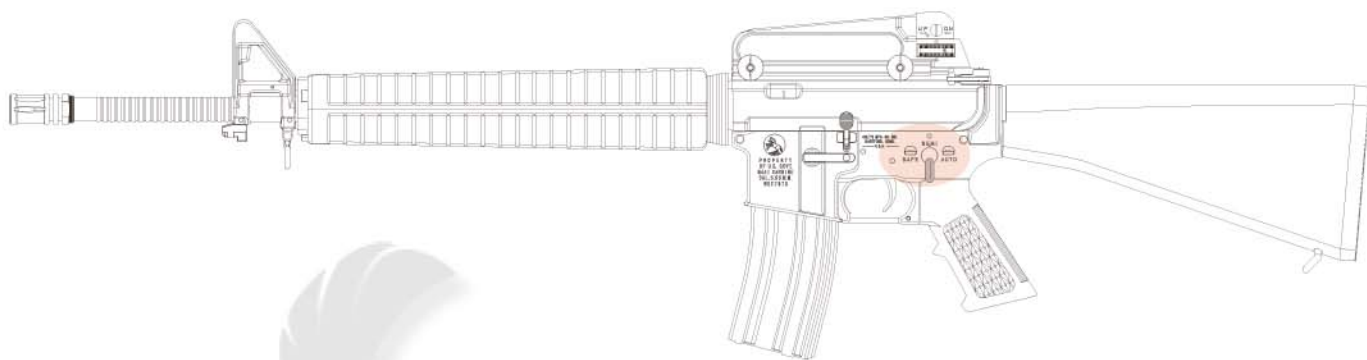
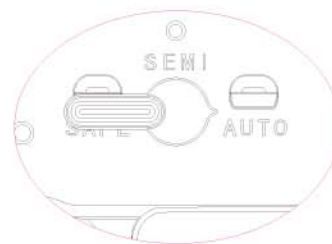
SAFETY



SINGLE

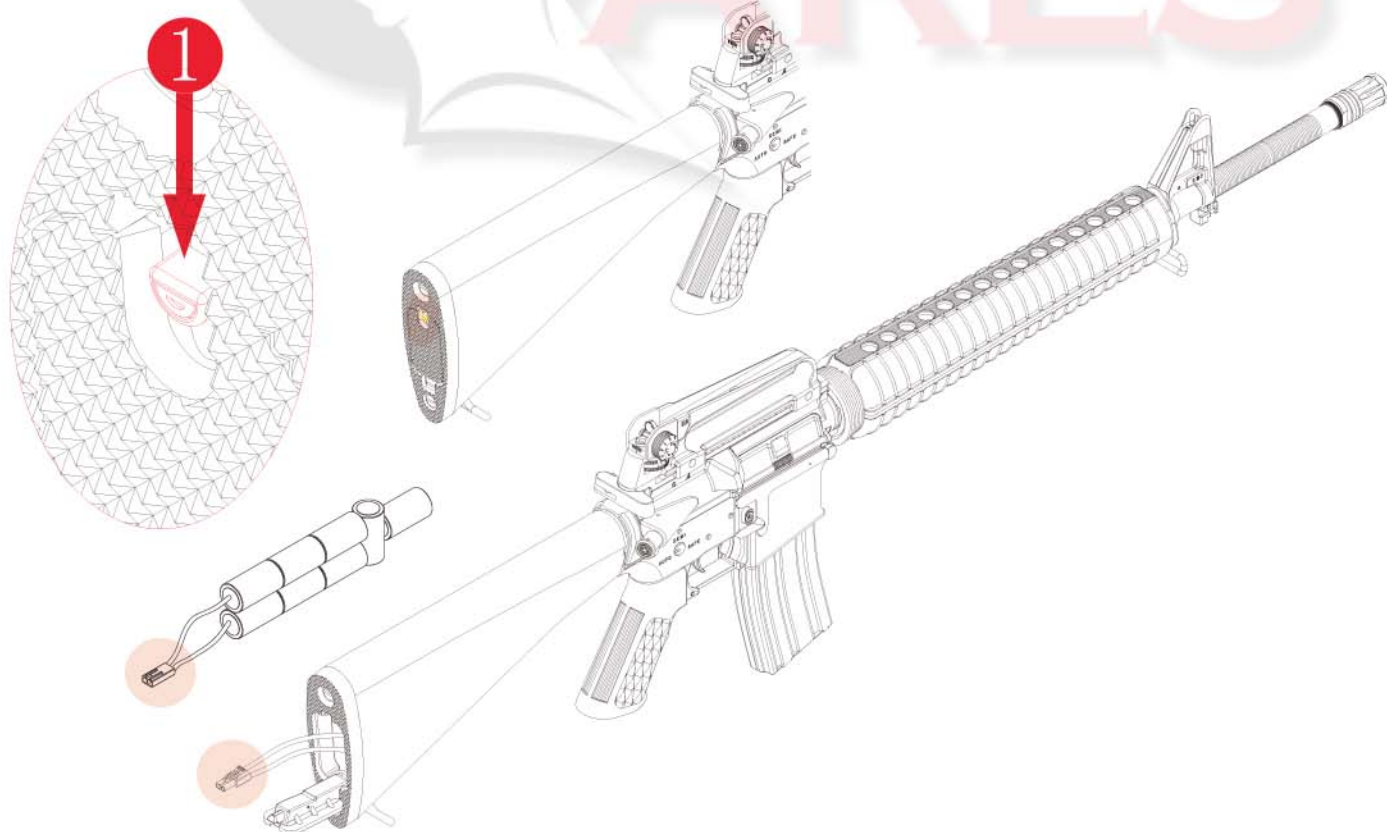


AUTO

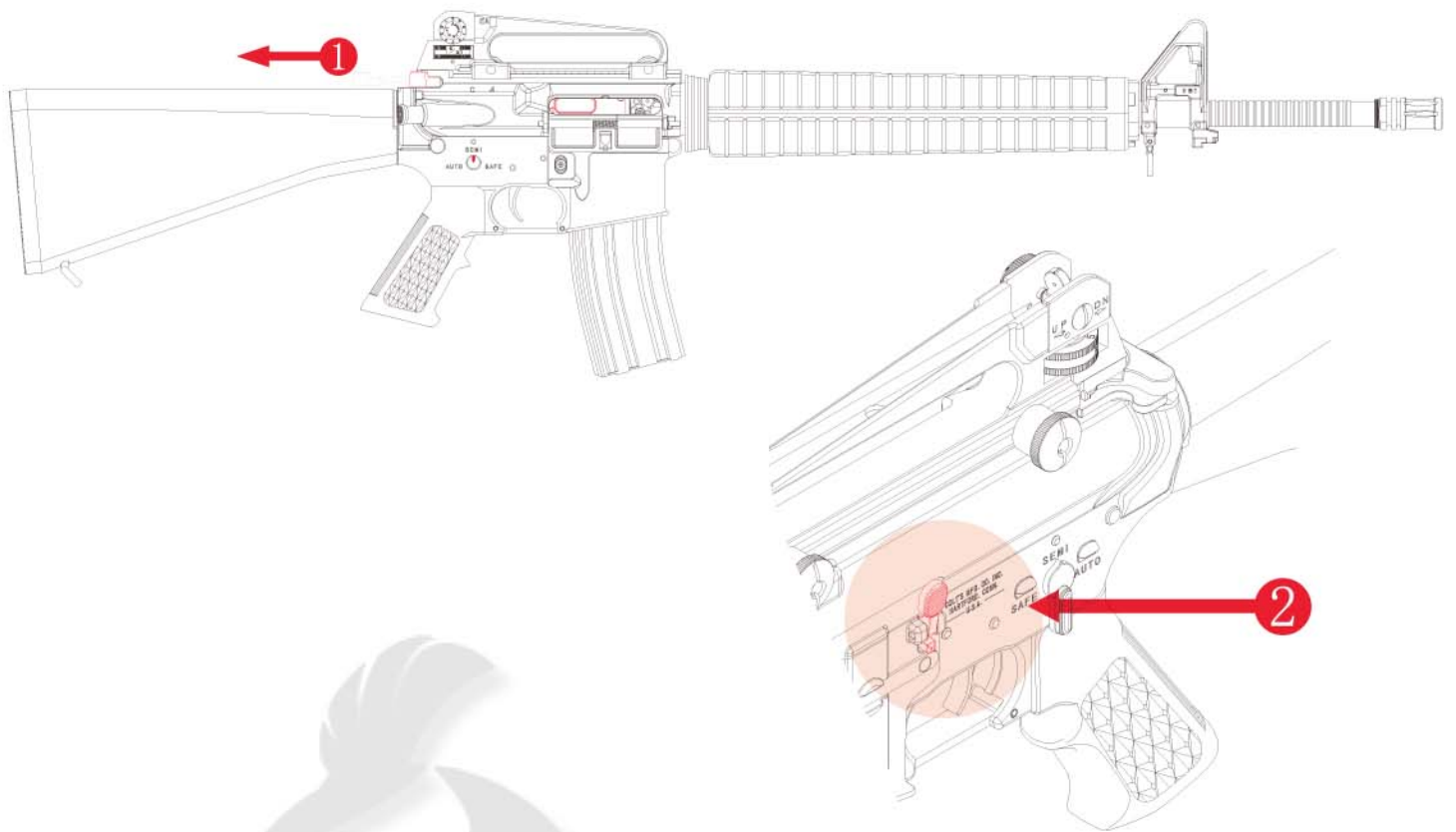


BATTERY INSTALLATION

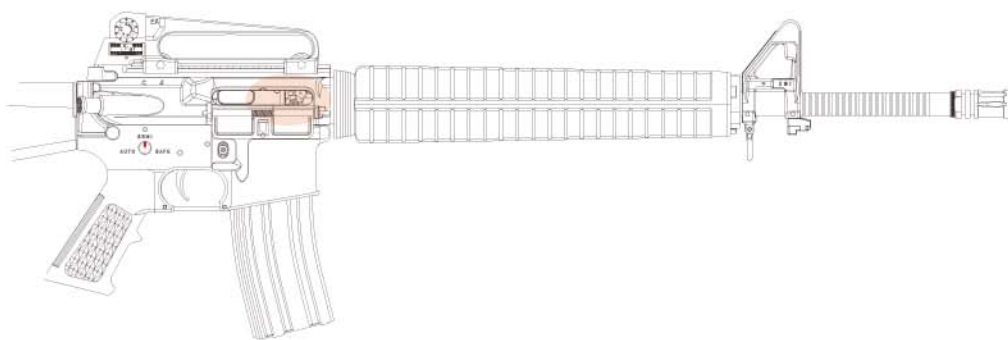
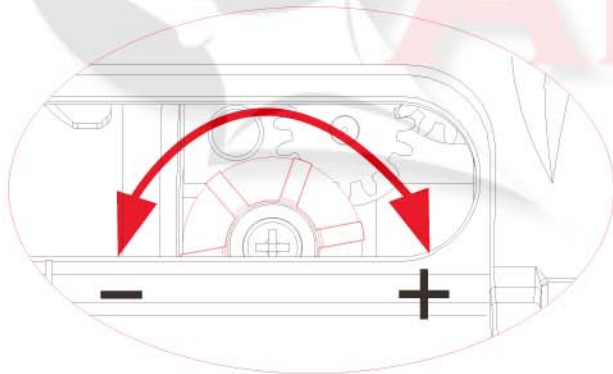
USE THE SPECIFIED BATTERY FOR YOUR GUN 9.6V 3300MAH



BOLT LOCK & RELEASE



HOP-UP ADJUSTMENT

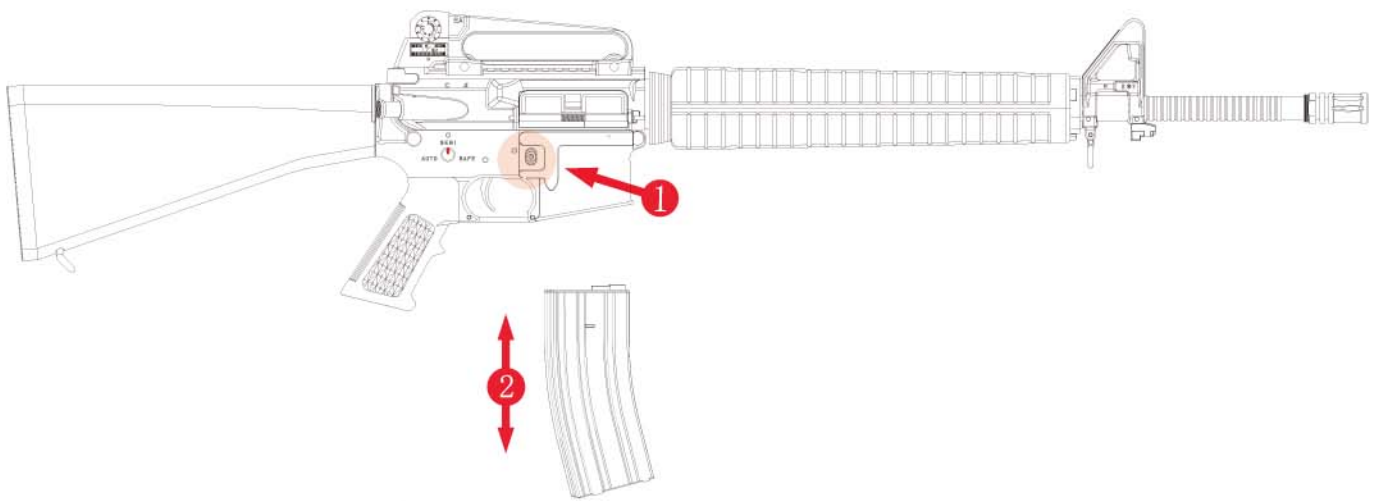


EXCESSIVE HOP UP —

○ BEST POSITION

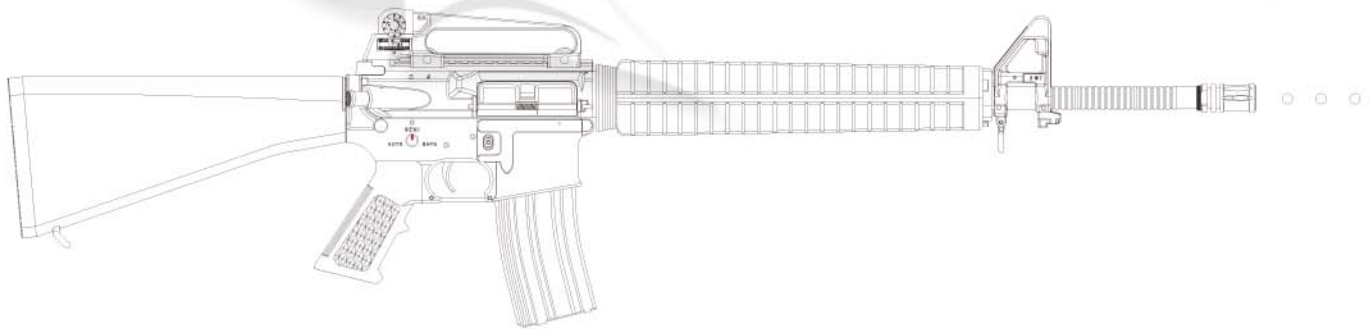
NO TENOUGH HOP UP +

SETTING THE MAGAZINE



WARNING

ARES



- . Do not aim or shoot a person or animal as the target.
- . Avoid pulling the trigger carelessly.
- . Always put the gun in a case or bag when you carrying it.
- . Always set the switch lever to the safety position.
- . Do not look into the gun muzzle.
- . Always wear eye protective gear.
- . Store the airsoft gun at the places out of reach by children.
- . Do not disassemble or modify the airsoft gun.

DATA OF ARES M16A3 ELECTRIC GUN

MATERIAL: NYLON & ALUMINUM ALLOY
HOPUP SYSTEM: ONE PIECE ADJUSTABLE
LENGTH: 1000MM
WEIGHT: 2980G
MAGAZINE CAPACITY: 130 ROUNDS
BULLET: 6MM BB BULLETS
BATTERY: 9.6V 3300MAH
MOTOR: HIGH TORQUE FLAT MOTOR





M16A3

