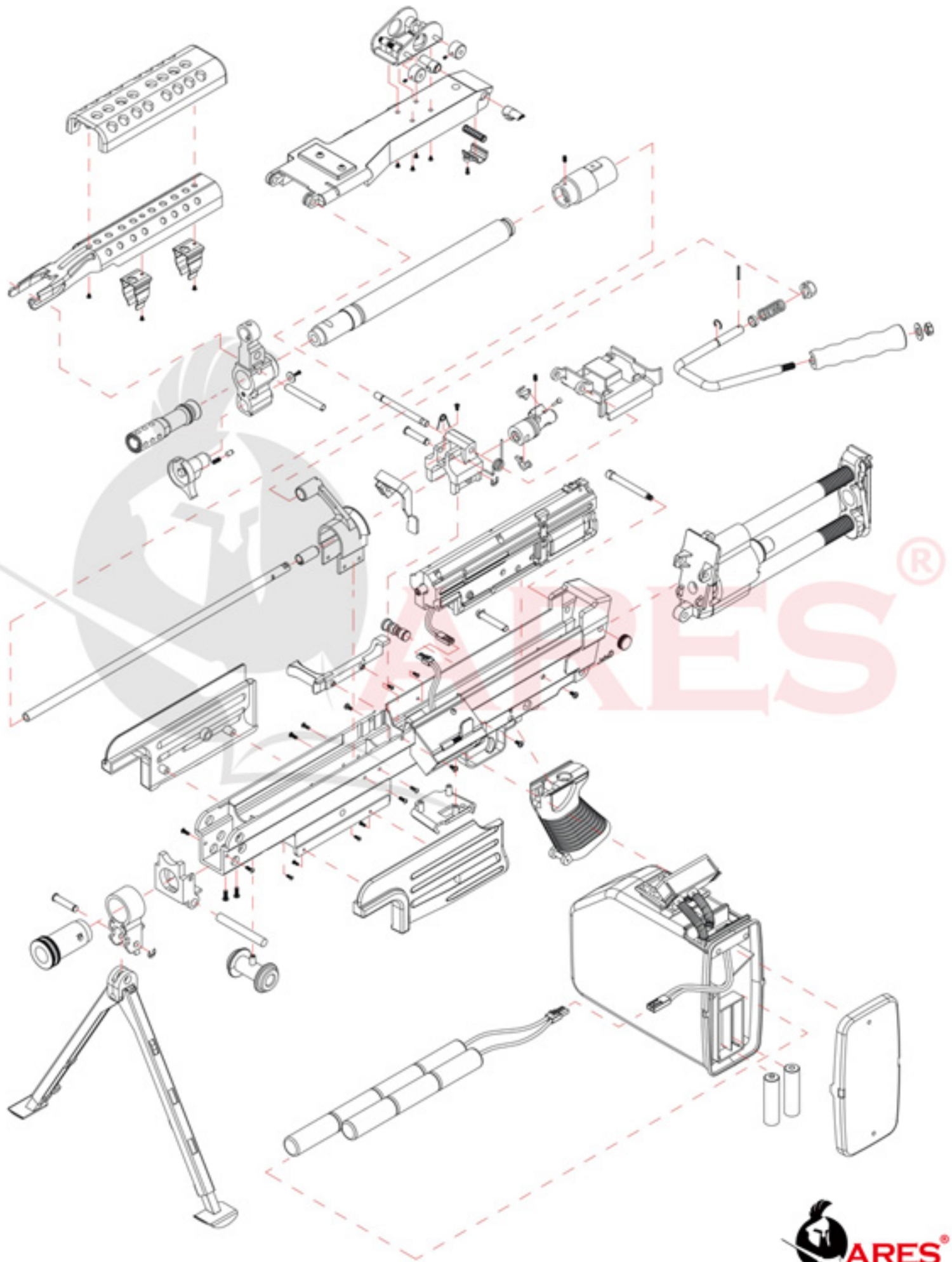
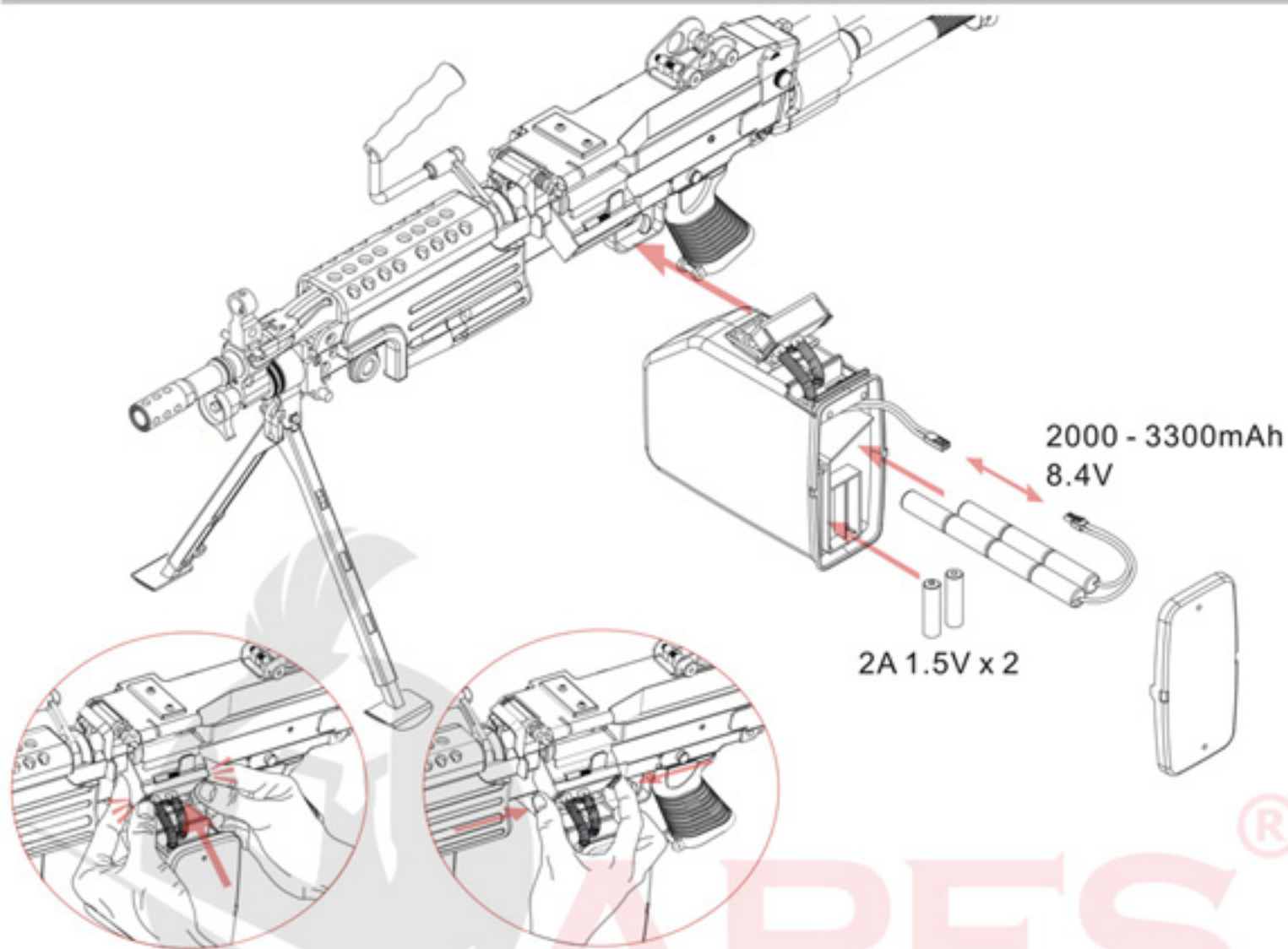


# M249 PARA EXPOSE PLAN

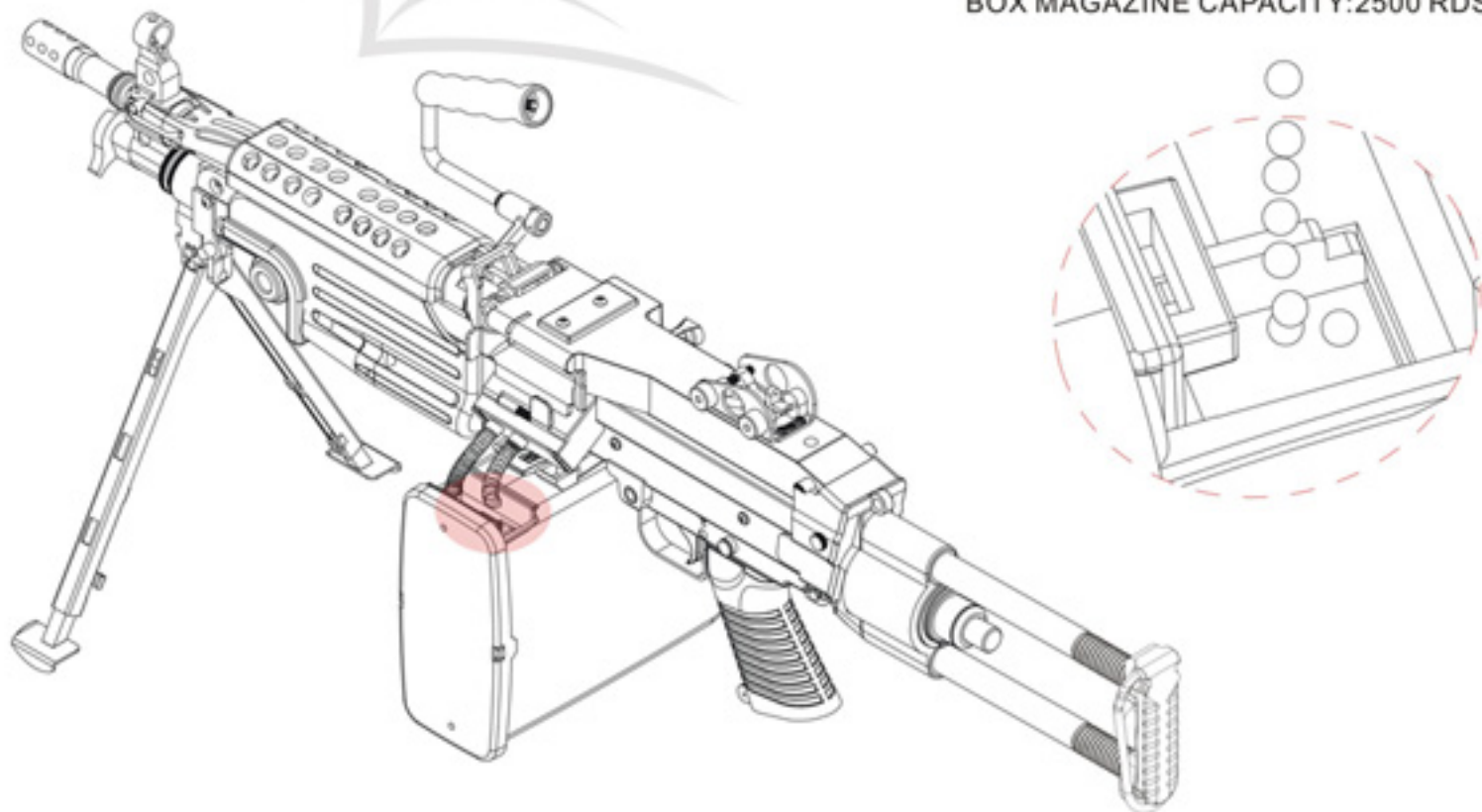


# BATTERY INSTALLATION

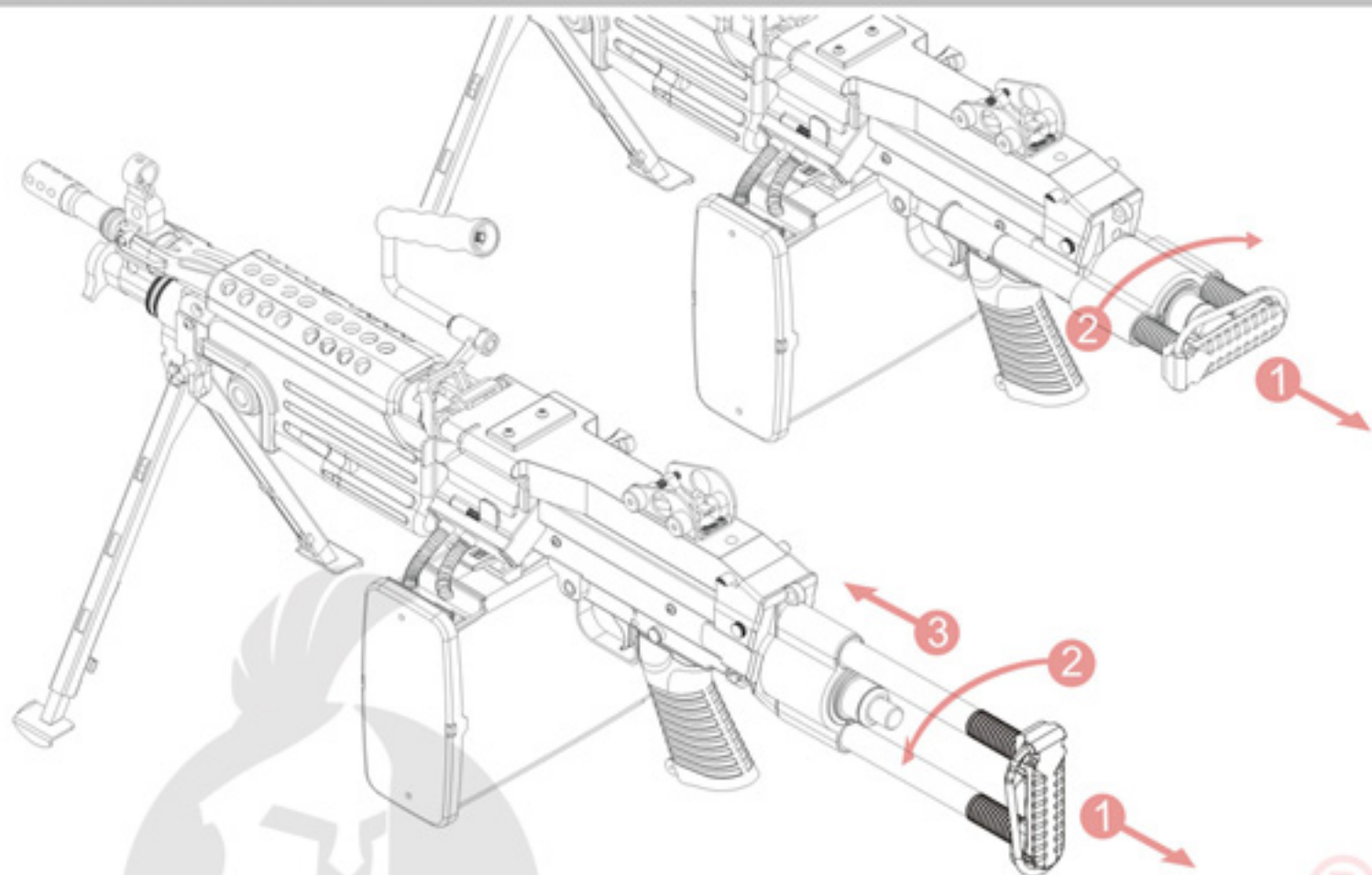


# BOX MAGAZINE LOADING

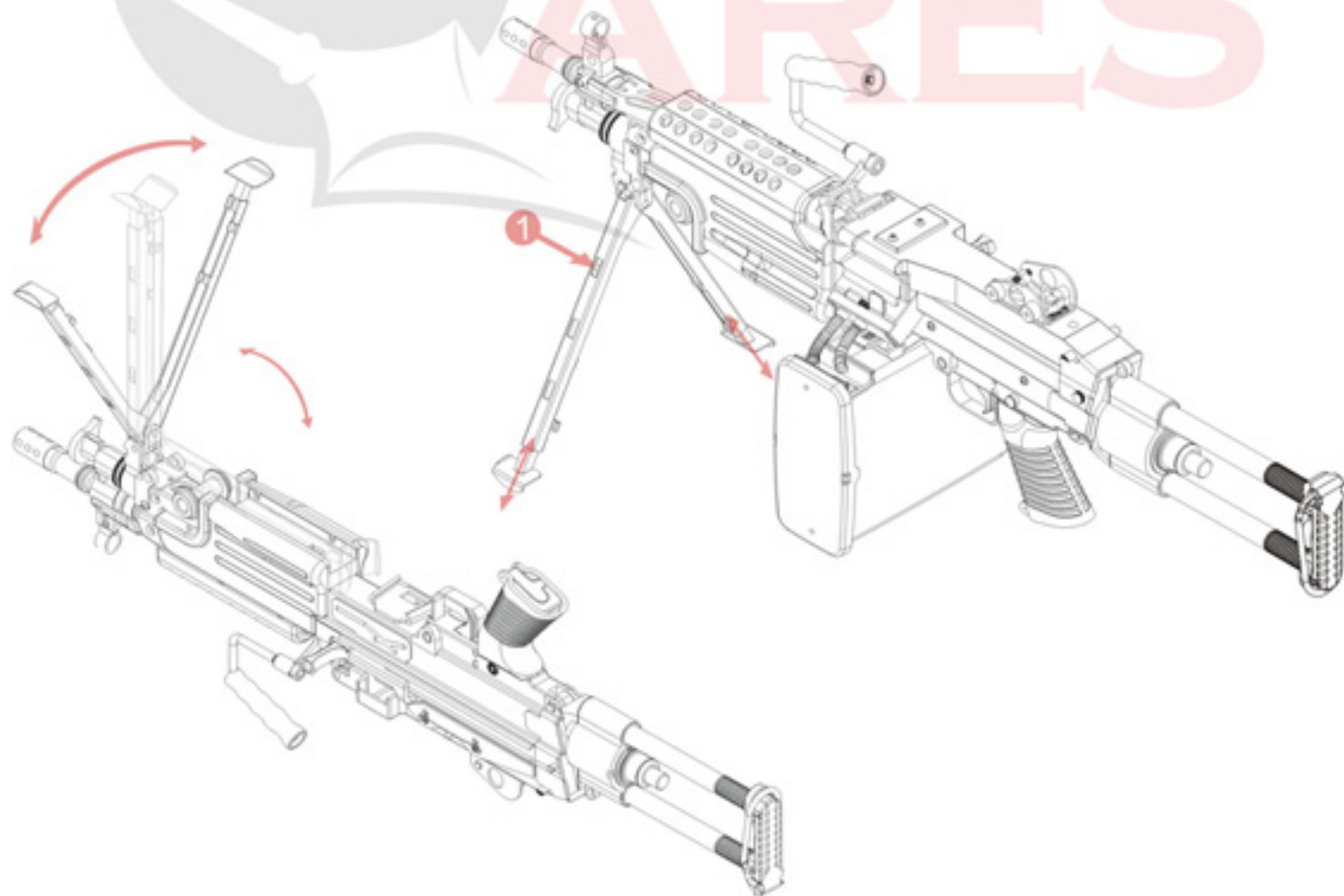
BOX MAGAZINE CAPACITY: 2500 RDS



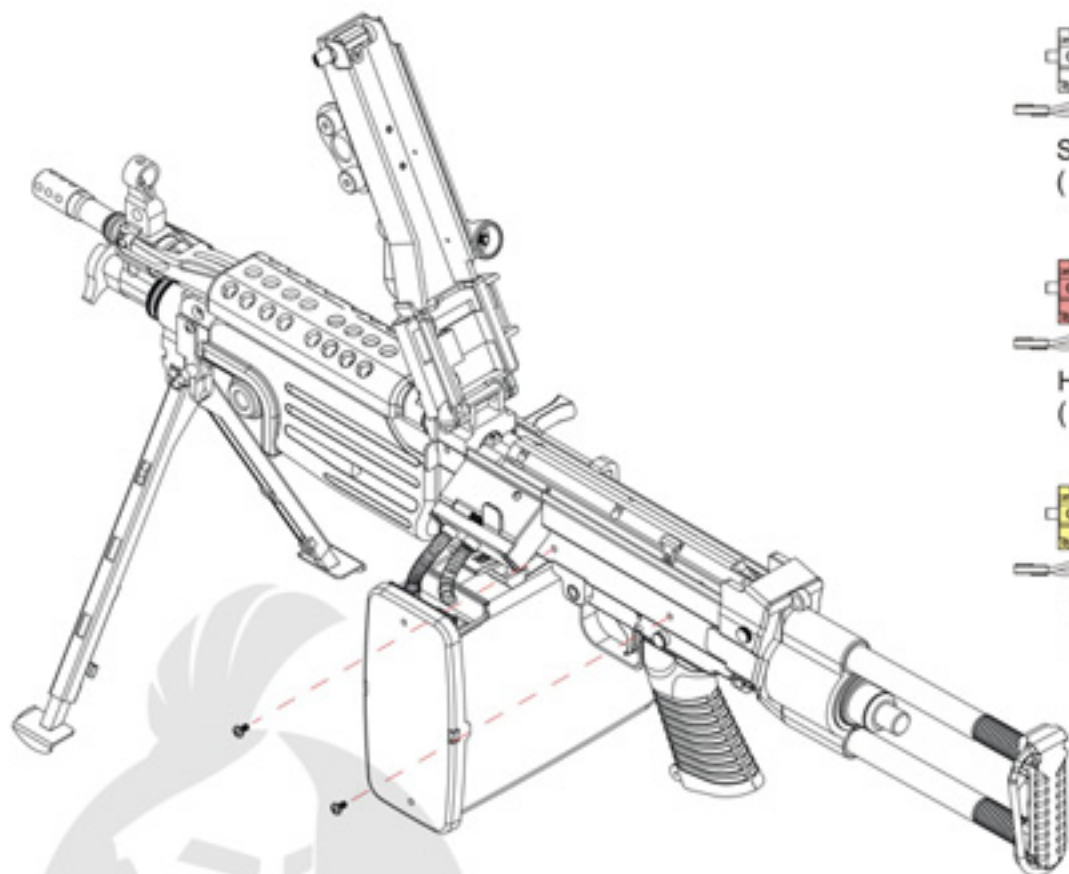
## BUD STOCK ADJUSTMENT



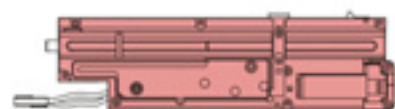
## UNDERPROP ADJUSTMENT



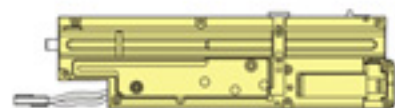
# GEAR BOX INSTALLATION



STANDRAD GEAR BOX  
(INCLUDED GB-249-02)

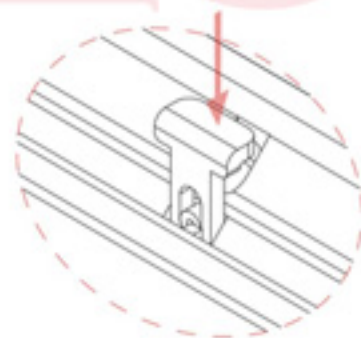
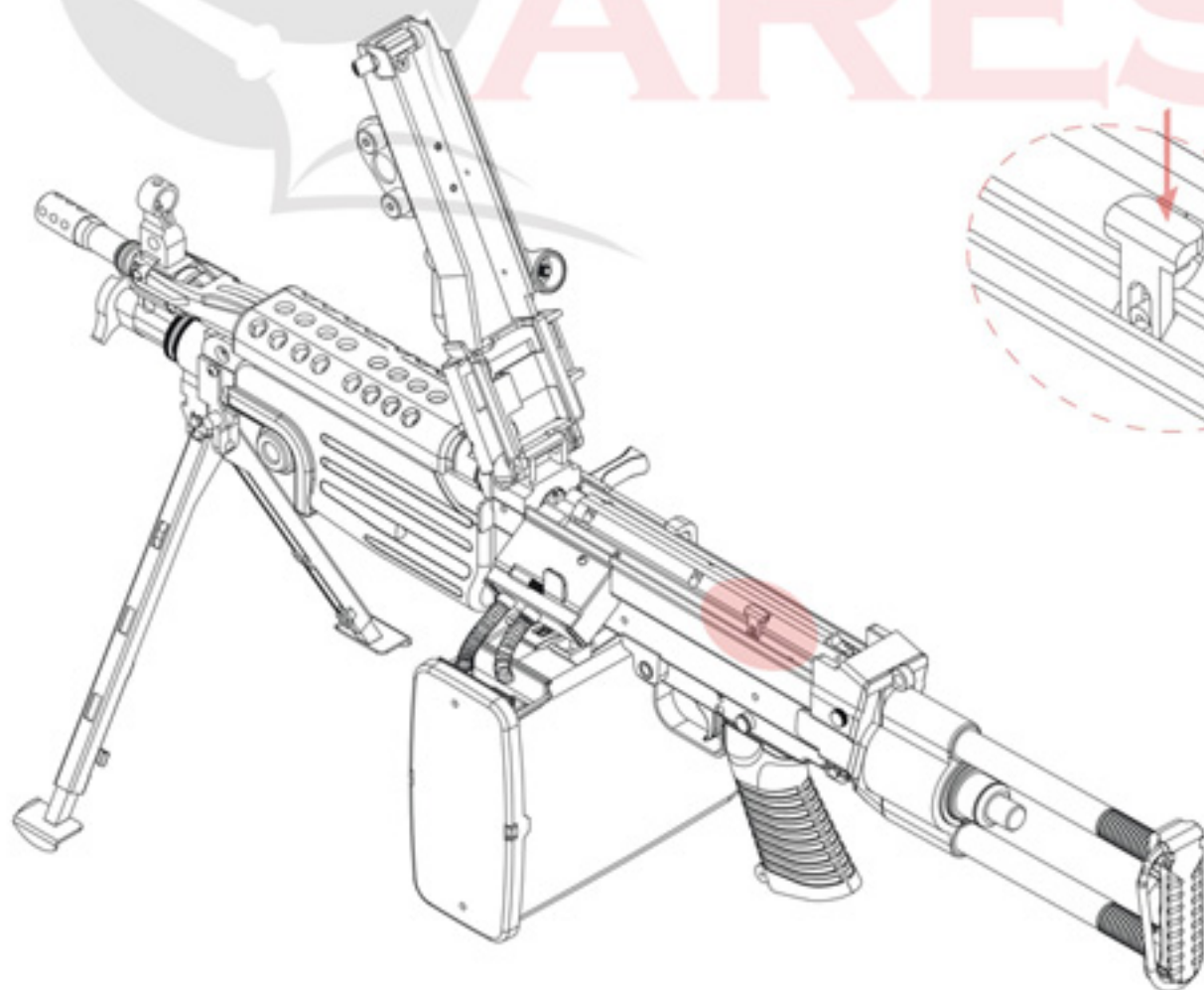


HIGH POWER GEAR BOX  
(OPTIONAL GB-249-01)



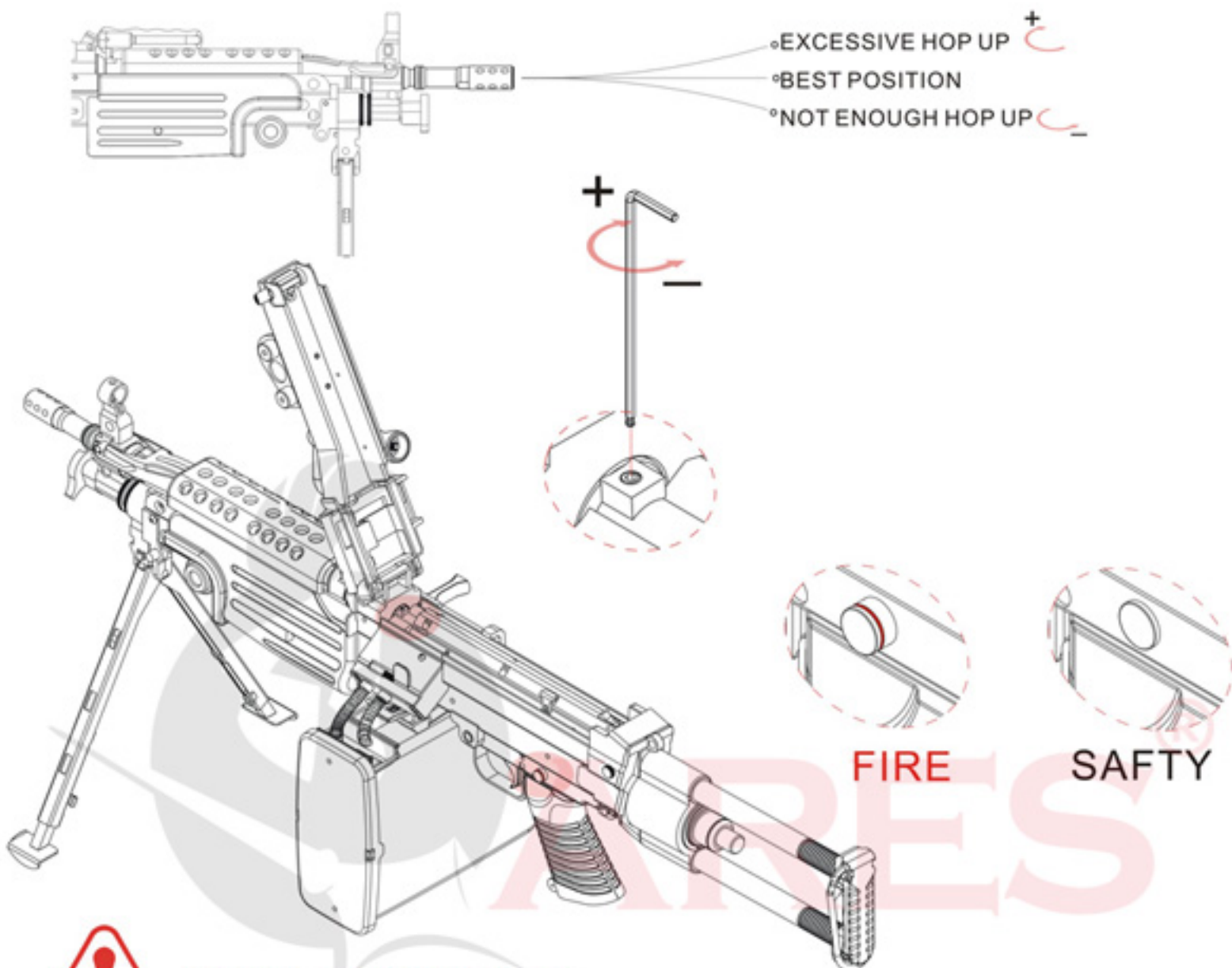
INERIOR GEAR BOX  
(OPTIONAL GB-249-03)

## SPRING RELEASE

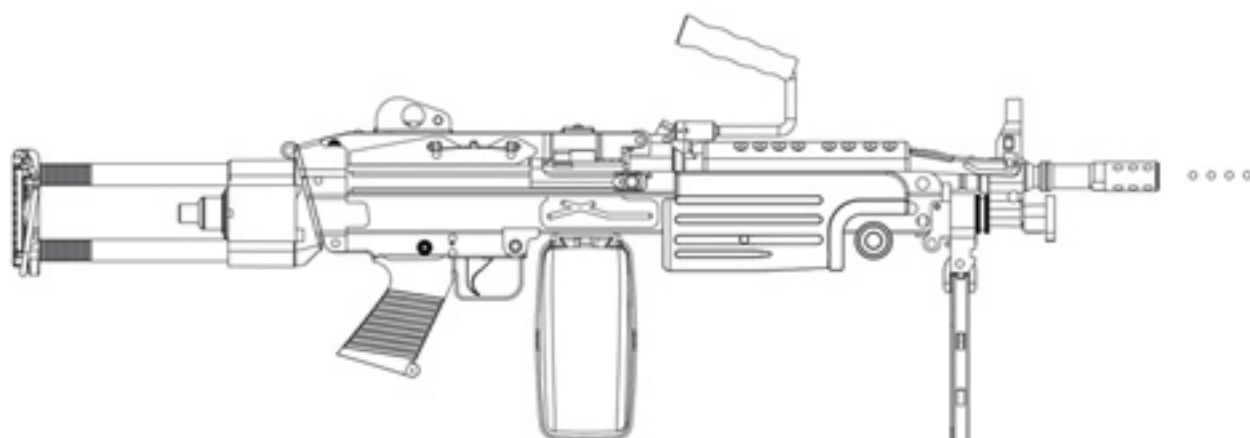


ARES®

# HOP-UP ADJUSTMENT



## WARNING



- . Do not aim or shoot a person or animal as the target.
- . Avoid pulling the trigger carelessly.
- . Always put the gun in a case or bag when you carrying it.
- . Always set the switch lever to the safety position.
- . Do not look into the gun muzzle.
- . Always wear eye protective gear.
- . Store the airsoft gun at the places out of reach by children.
- . Do not disassemble or modify the airsoft gun.

# **DATA OF M249 PARA ELECTRIC GUN**

**BATTERY: 9.6V 3300mAh Large (SC)**

**MAGAZINE CAPACITY: 2500rds (6mm BB)**

**MODE: Full Auto / Safe**

**MATERIAL: Nylon Fiber + AL. Alloy**

**MOTOR: High Torque Flat Motor**

**HOP-UP: Adjustable**

**LENGTH: 792-915mm (Stock Extend)**

**WEIGHT: 4000g**

**VELOCITY: 350-380FPS**



**[www.aresairsoft.com](http://www.aresairsoft.com)**