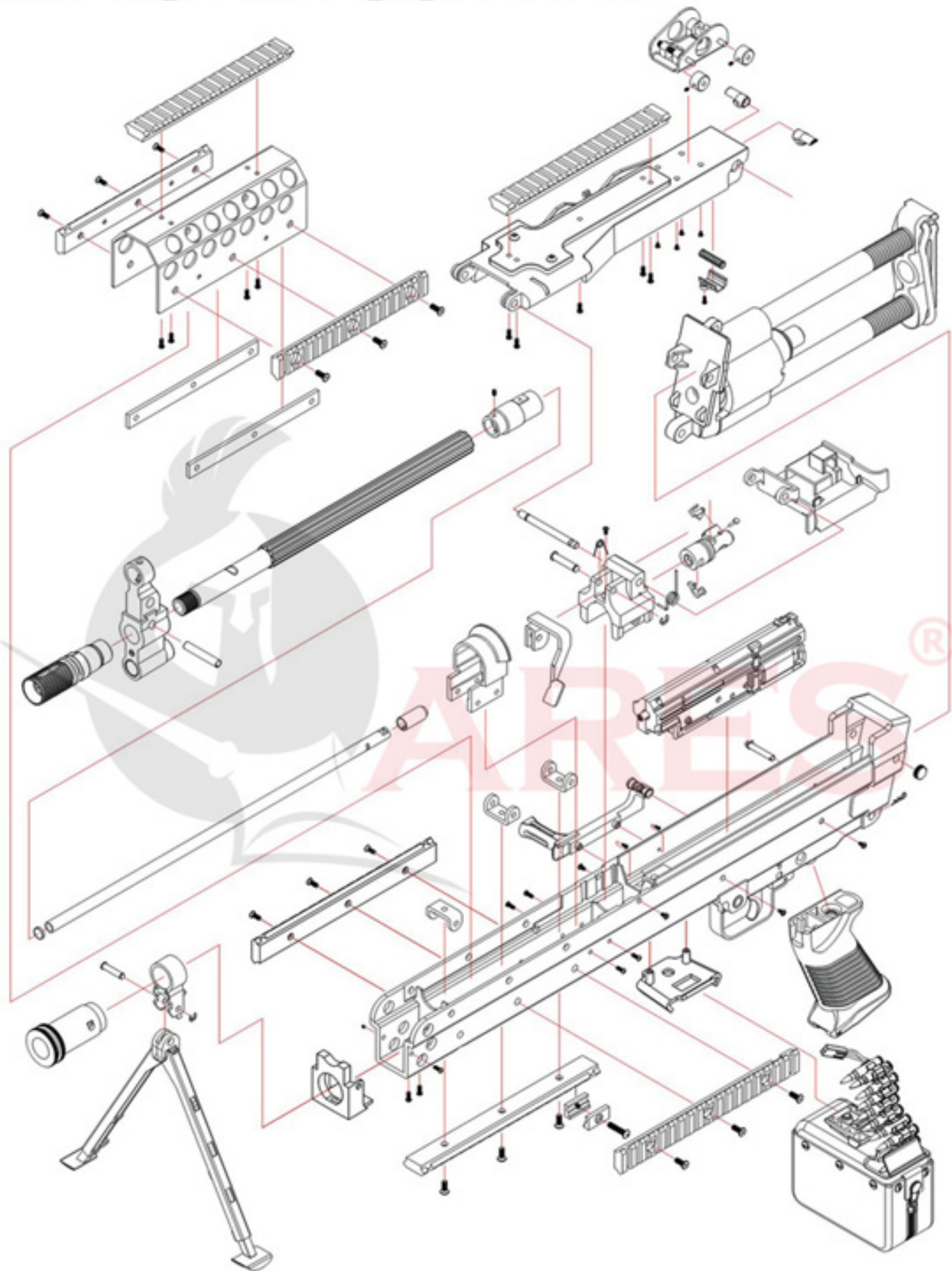
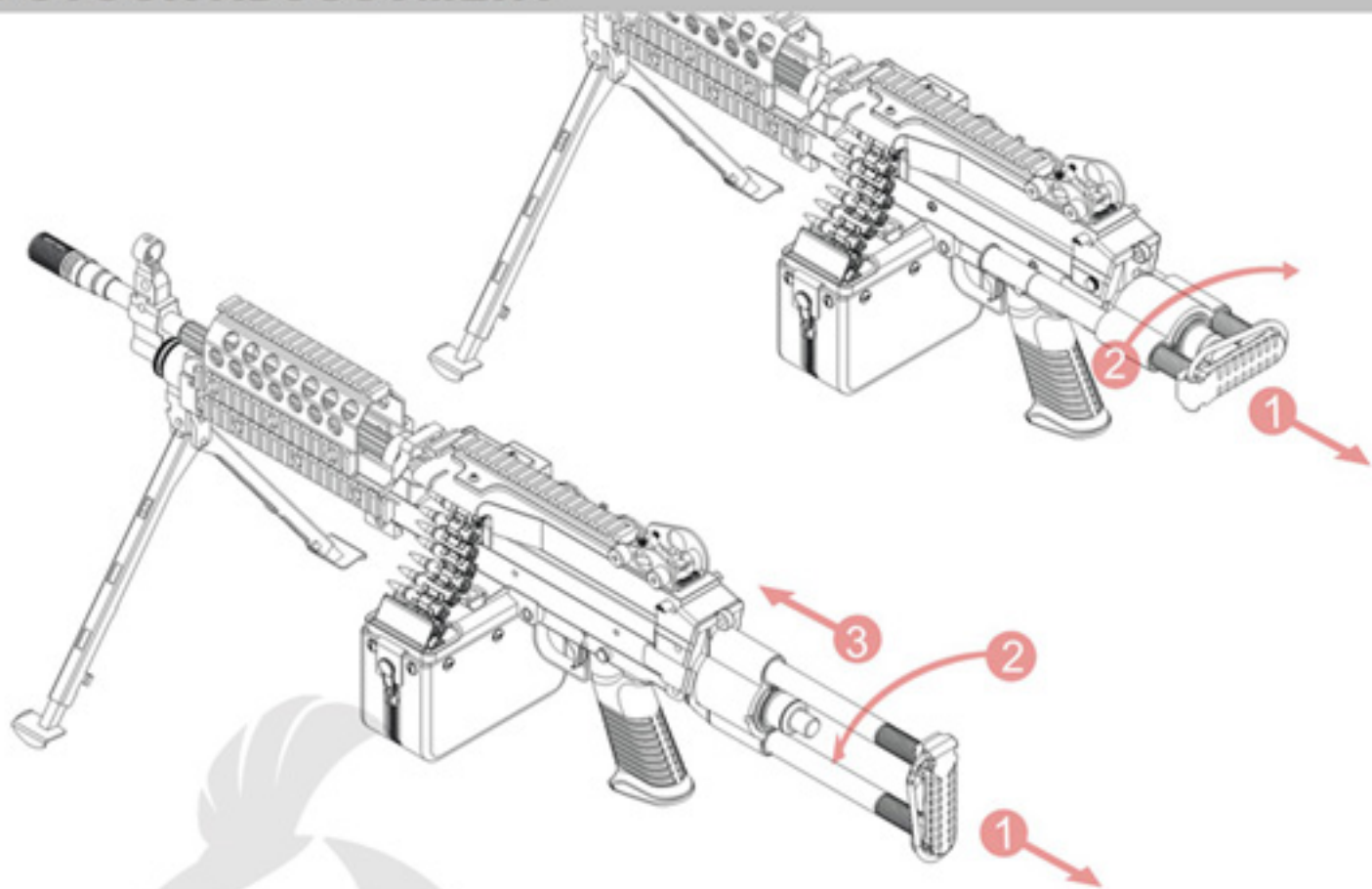


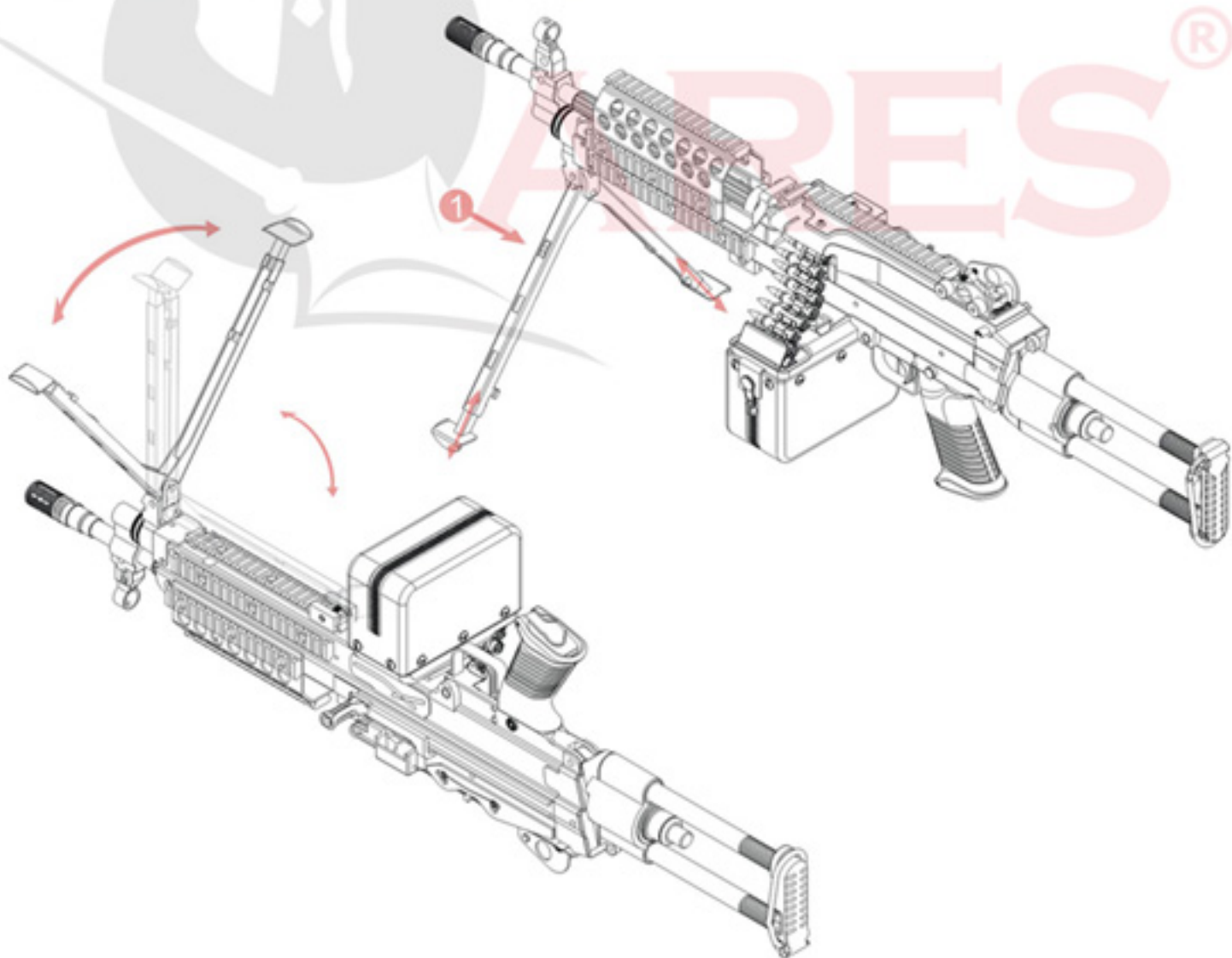
MK 46 EXPOSE PLAN



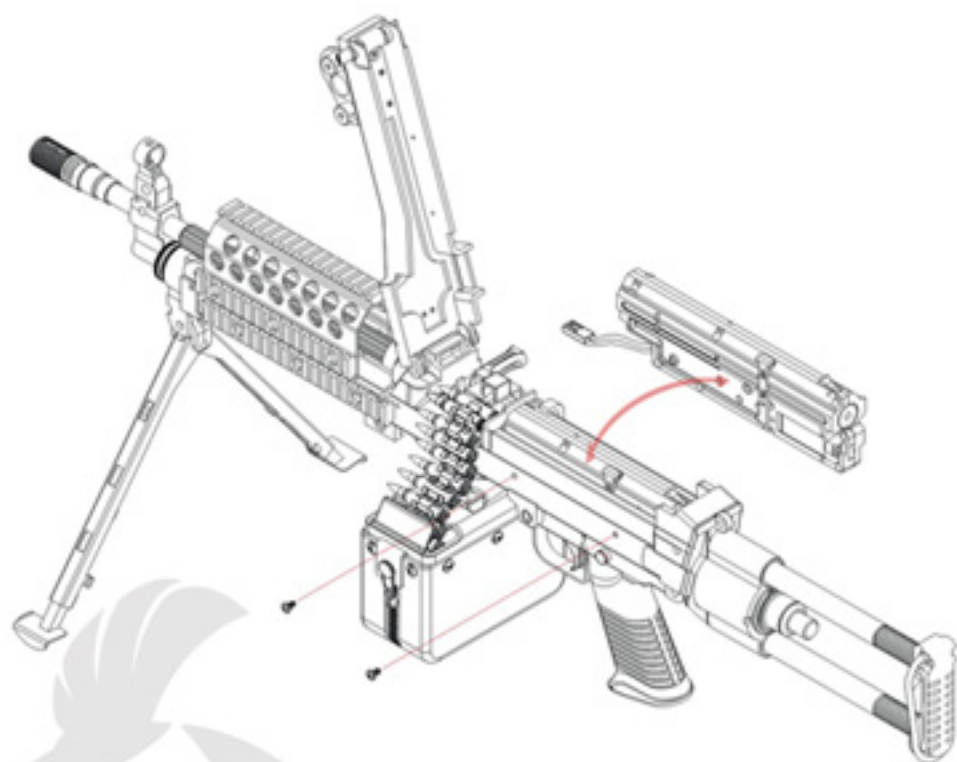
BUD STOCK ADJUSTMENT



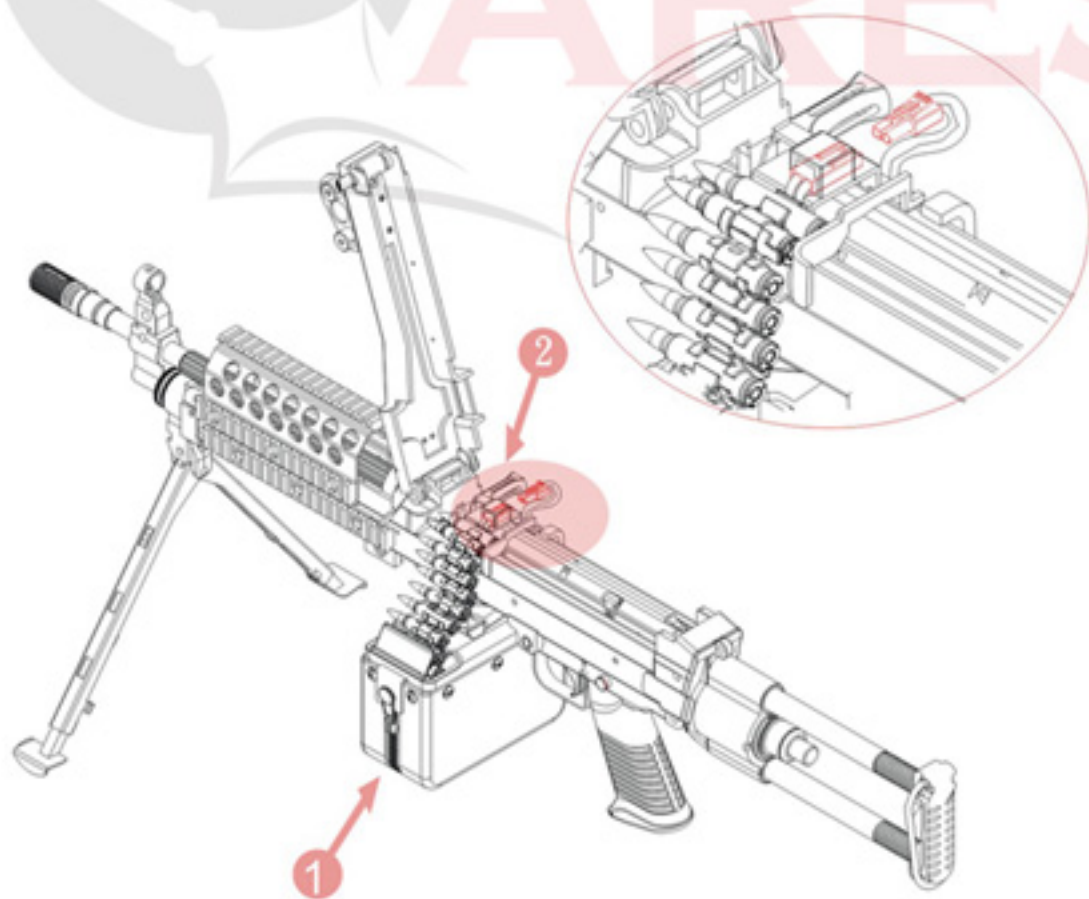
UNDERPROP ADJUSTMENT



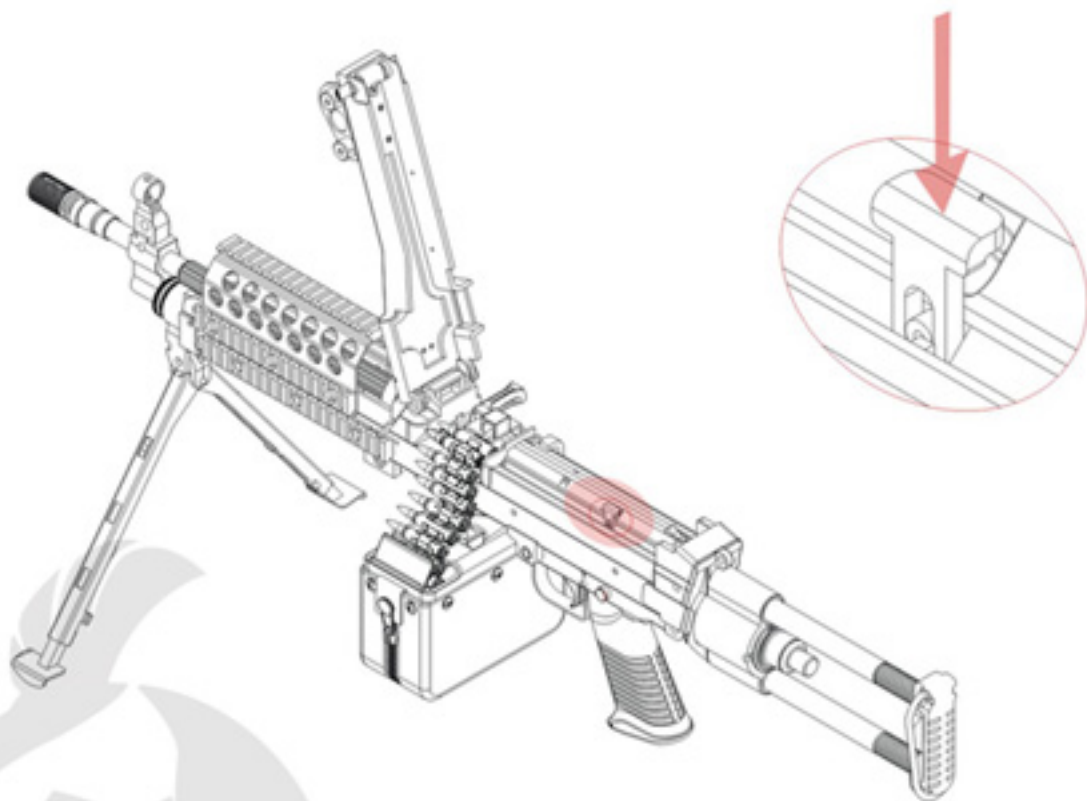
GEAR BOX INSTALLATION



MAIN POWER CONNECTION



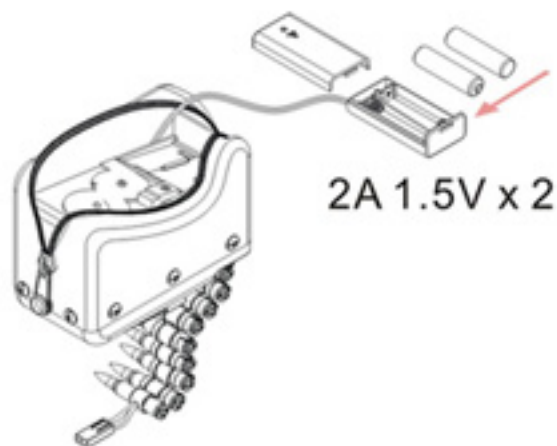
SPRING RELEASE



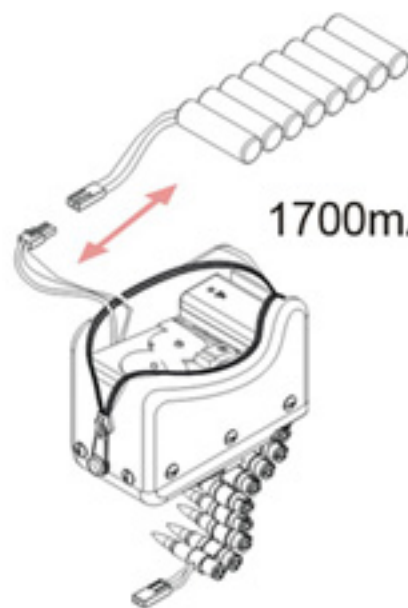
BATTERY AND BB INSTALLATION



1550 rounds bb

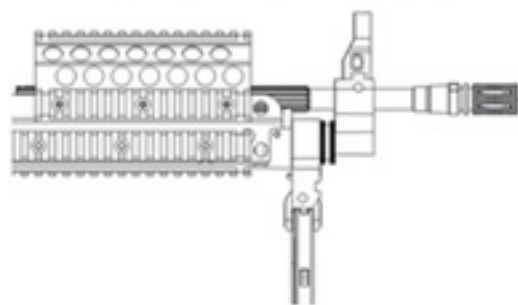


2A 1.5V x 2

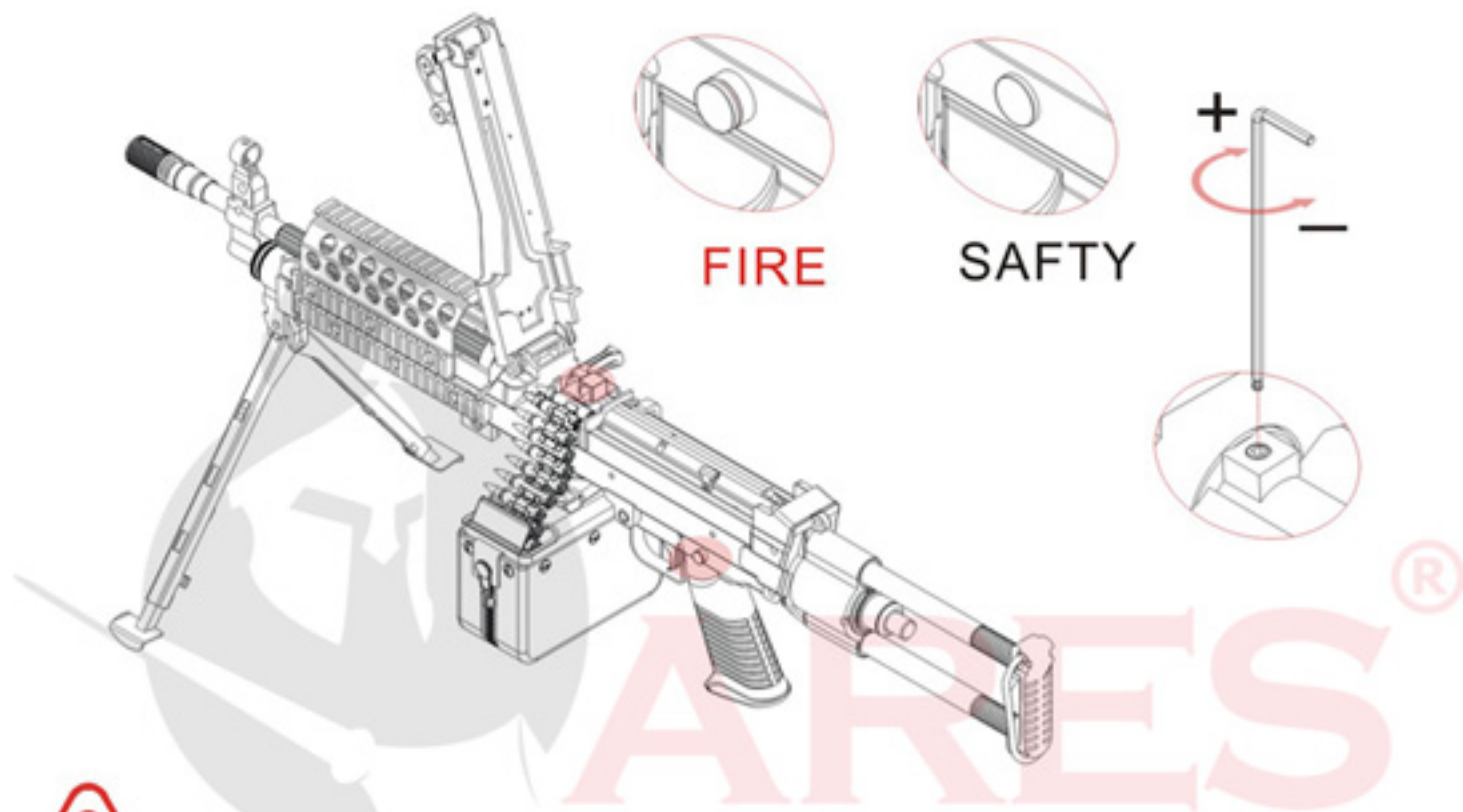


1700mAh 9.6v

HOP-UP ADJUSTMENT



- EXCESSIVE HOP UP $+$
- BEST POSITION
- NOT ENOUGH HOP UP $-$



WARNING



- .Do not aim or shoot a person or animal as the target.
- .Avoid pulling the trigger carelessly.
- .Always put the gun in a case or bag when you carrying it.
- .Always set the switch lever to the safety position.
- .Do not look into the gun muzzle.
- .Always wear eye protective gear.
- .Store the airsoft gun at the places out of reach by children.
- .Do not disassemble or modify the airsoft gun.

DATA OF MK 46 ELECTRIC GUN

BATTERY:

9.6V 1500mAh Mini (2/3A) (Box Mag)

MAGAZINE CAPACITY:

1500rds (6mm BB) Box Mag

MODE: Full Auto / Safe

MATERIAL: Nylon Fiber + AL. Alloy

MOTOR: High Torque Flat Motor

HOP-UP: Adjustable

LENGTH: 790-920mm (Stock Extend)

WEIGHT: 3800g

VELOCITY: 350-380FPS



www.aresairsoft.com